

RIDS

Remote Keying

Minimize Operating Expenses and Raise Keying Efficiencies

RIDS' Remote Keying module allows processors to shift manual keying functions to more cost effective locations or load level peak keying volumes.

Processors are constantly looking to leverage resources to lower operating costs or load level peak volumes. RIDS' Remote Keying allows processors to do just that - whether it be moving keying volume from existing production sites to lower cost remote locations (domestic or offshore) or reducing site resources formerly required to handle periodic or temporary spikes in volume such as state or municipal tax payments.

Remote data entry operators become "members" of your production site and key work as if they are physically located in your site.

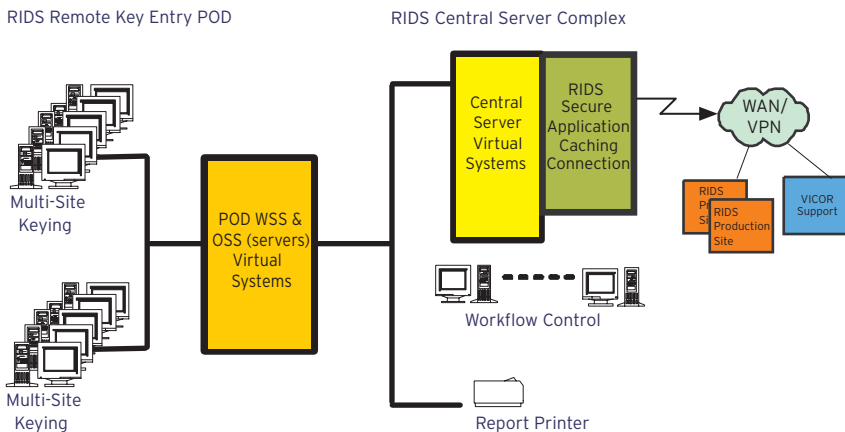
After transactions are imaged at each production site, RIDS' business rules identify and move work to a Remote Keying Queue. The remote location (whether a production site or an outsourced facility) is equipped with Multi-Site Keying Workstations that enable remote operators to log in and out of production sites using one ID and password. A remote operator accesses a production site and sees what a local operator would have seen. After data entry is complete, the work continues through RIDS' workflow as if the transaction was processed locally.

VICOR also offers Web Snippet Keying which presents remote operators with snippets of documents. The data entry operator only needs a PC, a browser and connectivity which allows the operator to be located anywhere. This is also an ideal application for entering data from sensitive materials since the operator does not see the full context of the document being keyed.

RIDS' Remote Keying modules provide processors with flexible options to reduce expenses and gain efficiencies-whether you outsource offshore or remain domestic.

Remote Keying

Remote Keying is an optional module to VICOR's RIDS that allows an operation to scan locally and image key remotely in near-real time. RIDS' software facilities enable a remote data entry operator to log in and data enter designated work from any production site in your network. Remote operators can be located domestically or offshore. Production sites can key work for other production sites. The remote operator is presented work based on individual account deposit deadlines which allows processors to meet customer deposit expectations.



Headquarters
934 Marina Way South
Richmond, CA 94804

E-mail contact
rids@vicor.com

Tel (510) 621-2000
Fax (510) 621-2020

www.vicor.com